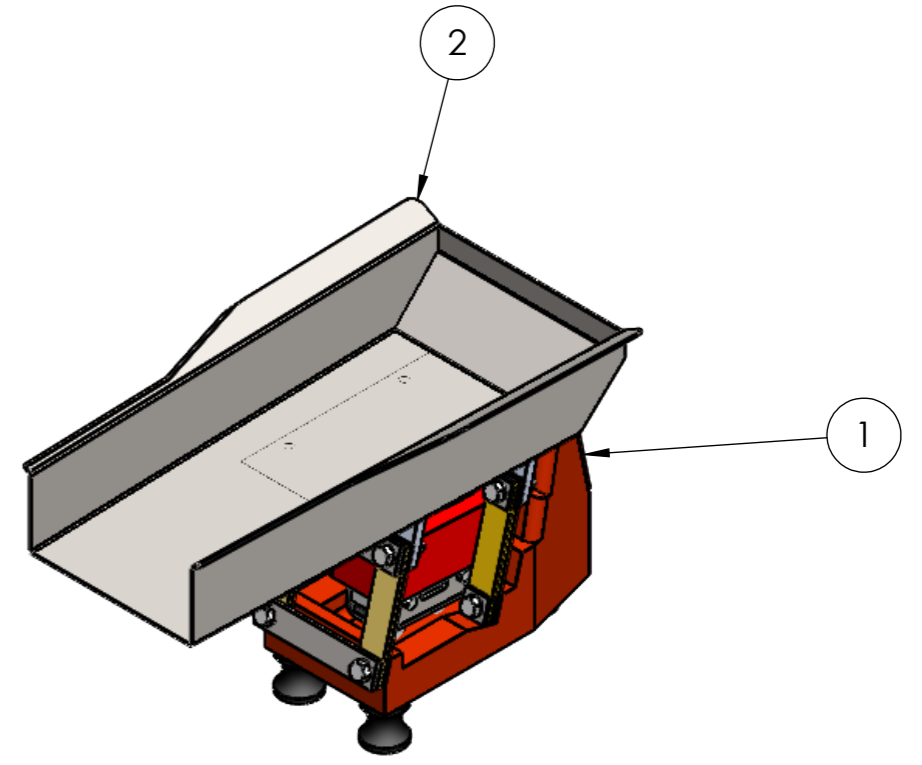


N.º DE ELEMENTO	DESCRIPCIÓN	CANTIDAD	Codi
1	VIBRADOR SM9 LINEAL	1	27971
2	CANAL DE ALIMENTACION	1	29453



F:\DISEÑO\WEIGMA\VP45\AAA GRUPOS VP45\VP450100 CANAL ALIMENTACION NEW\VP450100 CANAL ALIMENTACION VIBPredeterminado
 F:\DISEÑO\WEIGMA\VP45\AAA GRUPOS VP45\VP450100 CANAL ALIMENTACION NEW\VP450100 CANAL ALIMENTACION VIB

UNLESS OTHERWISE SPECIFIED: DIMENSIONS ARE IN MILLIMETERS SURFACE FINISH: TOLERANCES: LINEAR: ANGULAR:		FINISH:	DEBUR AND BREAK SHARP EDGES	CODE:	REVISION																								
<table border="1"> <thead> <tr> <th>NAME</th> <th>SIGNATURE</th> <th>DATE</th> <th></th> </tr> </thead> <tbody> <tr> <td>DRAWN</td> <td></td> <td></td> <td></td> </tr> <tr> <td>CHK'D</td> <td></td> <td></td> <td></td> </tr> <tr> <td>APPV'D</td> <td></td> <td></td> <td></td> </tr> <tr> <td>MFG</td> <td></td> <td></td> <td></td> </tr> <tr> <td>Q.A</td> <td></td> <td></td> <td></td> </tr> </tbody> </table>				NAME	SIGNATURE	DATE		DRAWN				CHK'D				APPV'D				MFG				Q.A				<p style="text-align: center;">WEIGMA ®</p>	
				NAME	SIGNATURE	DATE																							
				DRAWN																									
				CHK'D																									
				APPV'D																									
MFG																													
Q.A																													
MATERIAL:				TITLE:																									
WEIGHT:				VP450100 CANAL ALIMENTACION VIB																									
SCALE:1:5				A3																									
SHEET 1 OF 1																													